

1

**SAYLOR-BEALL MANUFACTURING CO.**  
**ST. JOHNS, MICHIGAN**

# OPERATING INSTRUCTIONS BASIC AIR COMPRESSOR

SINGLE CYLINDER MODELS:	SERIES 62-A100	Commencing with Serial No. AR-5000
	SERIES 62-B200	Commencing with Serial Nos. R-5000

## LUBRICATION — IMPORTANT

The crankcase of this compressor was drained before shipment.

Be sure to add oil before the compressor is run.

Use a good brand of SAE No. 30 Non-Detergent, Single Grade Motor Oil. Fill the crankcase to the oil level mark on the sight gauge located on the back end of the compressor away from the flywheel. Check the oil level frequently.

Low oil level means trouble. Drain the oil every 100 hours of operation and add fresh oil.

## AIR CLEANER

The air cleaner consists of filter pad and a screen located in the cylinder head. Keep the pad clean. Wash the pad with Naptha often. Change pads every 100 hours. A dirty air cleaner means slow pumping time and loss of pressure.

## VALVES

The intake and exhaust valves are located in the cylinder head; easily removed from the top.

The valves are precision made from the finest valve steel and will require little or no attention.

The valve springs are made from silicone type wire and calibrated to very close limits to provide maximum efficiency.

Valve leakage (indicated by slow pumping) is usually caused by carbon deposits and only after a long period of operation.

If valves are removed for any reason—do one at a time—and use extreme care in cleaning and assembly.

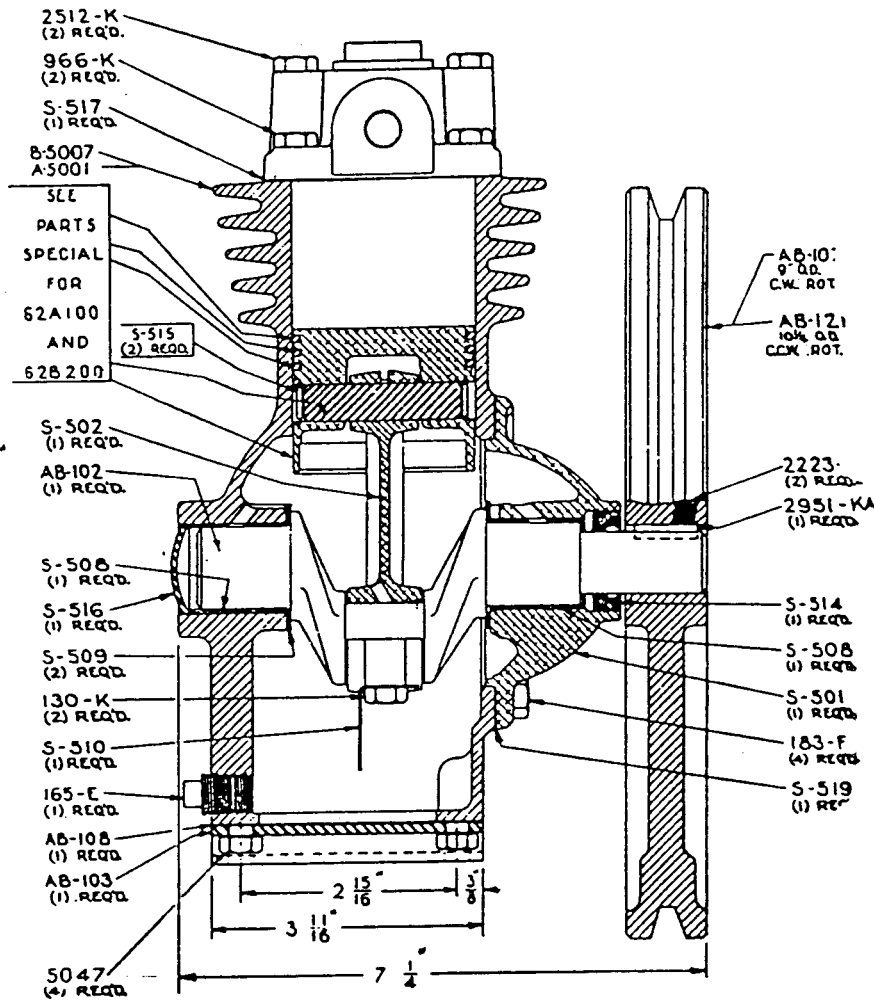
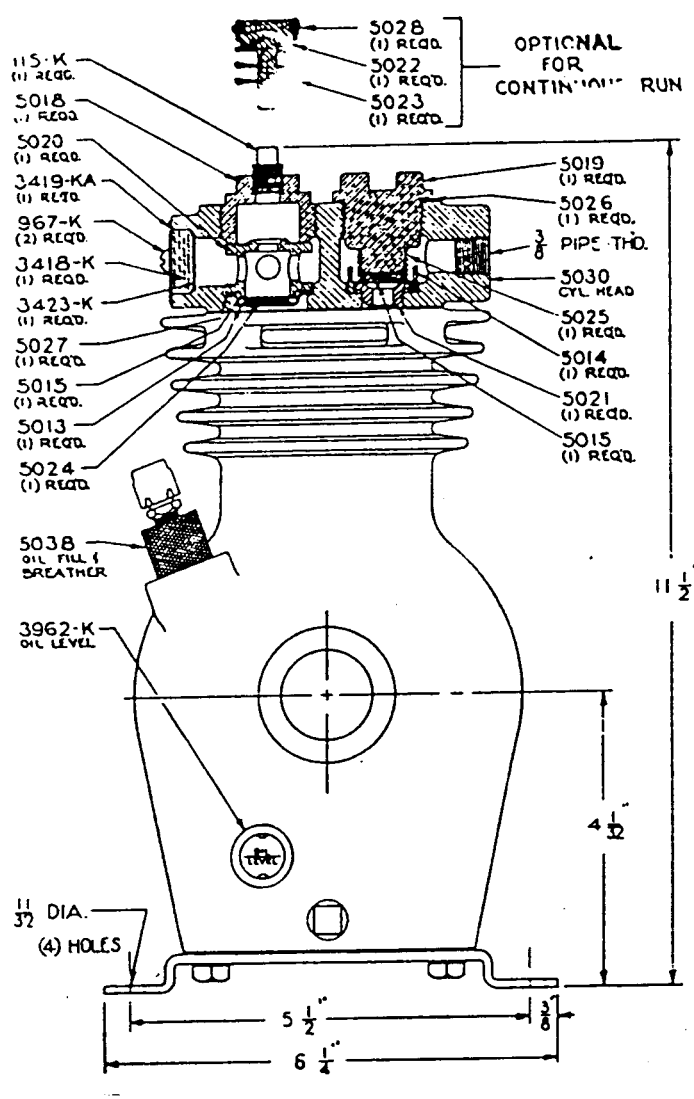
## GENERAL OPERATION

The maximum pressure is 150 P.S.I.

The maximum speed is 850 R.P.M.

Always operate the compressor below maximum output for best results and longer life.

NOTE: Orders must specify pump model number and serial number when ordering replacement parts.



Recommended Operation

Pulley and Flywheel Data

SINGLE CYLINDER MODEL 62-A100 SERIES 2" BORE 2" STROKE

Flywheel Diameter	Pulley Diameter	RPM	CFM	Oper. Pressure	H.P. Req.
9	3 3/4	720	2.6	100 PSI	1/2 HP
10 1/2	4 1/4	720	2.6	125 PSI	1/2 HP
10 1/2	4 1/2	770	2.8	100 PSI	1/2 HP

SINGLE CYLINDER MODEL 62-B200 SERIES 2 1/2" BORE 2" STROKE

Flywheel Diameter	Pulley Diameter	RPM	CFM	Oper. Pressure	H.P. Req.
10 1/2	4 1/8	690	3.90	125 PSI	3/4 HP
10 1/2	4 3/8	725	4.15	100 PSI	3/4 HP

A good check valve must be used with tank mounted compressors between the pump and tank.

- 62-A100 SERIES = 62-A114 9" flywheel
- 62-A110 10 1/2" flywheel
- 62-B200 SERIES = 62-B206 10 1/2" flywheel

Prices Subject to Change Without Notice

# REPAIR PARTS PRICE LIST

Specify Pump Models and Serial Number  
When Ordering Parts

## PARTS COMMON TO 62A100 & 62B200

Part No.	Description	No. Req.
115-K	1/8 Pipe Plug—Int. Ret.	1
5014	Guide—Exhaust Valve	1
5018	Retainer—Intake	1
5019	Retainer—Exh. Valve	1
5020	Valve Seat—Intake	1
5021	Seat—Exhaust Valve (Press Fit in Head)	1
5030	Head Cylinder	1
AB-5064	Valve Repair Kit (5013-R, 5024, 5025, 5026, 5027, 5015)	1

## OPTIONAL PARTS FOR CONTINUOUS OPERATION

5049	Kit—Unloader Conversion (With Pilot Valve)	1
5060	Kit—Unloader Conversion (Without Pilot Valve)	1
S-5069-1	Repair Kit (5022, 5023, 5027, 5028)	1

## AIR CLEANER PARTS — IN CYLINDER HEAD

967-K	Screw—Air Cleaner Cover	2
3418-K	Pad—Air Cleaner	1
3419-KA	Cover—Air Cleaner	1
3423-K	Screen—Air Cleaner	1

## FLYWHEELS

AB-107	Flywheel 9" OD (62A100) (C.W.)	1
AB-121	Flywheel 10½" OD (62A100 & 62B200) (C.C.W.)	1

## MISCELLANEOUS PARTS

AB-103	Cover—Bottom	1
165-E	Pipe—Plug—Oil Drain	1
183-F	Capscrew—Front Cover	4
S-508	Bushing—Main Bearing	2
S-514	Oil Seal—Crankshaft	1
966-K	Capscrew—Cyl. Head to Block	2
2512-K	Screw	2
2951-KA	Key 3/16" x 7/8" (Flywheel)	1
3962-K	Oil Sight Gauge	1
5038	Oil Fill & Breather Assy.	1
5040	O-Ring (C Case Breather)	1
5047	Capscrew—Bottom Cover	4

Prices Subject to Change Without Notice

## MISCELLANEOUS PARTS (CONTINUED)

Part No.	Description	No. Req.
AB-102	Crankshaft (For Bushing Type)	1
S-502	Connecting Rod Assy. (Includes Rod Cap & Screws)	1
S-510	Splash-Plate	1
S-515	Lockring—Piston Pin (Included with Piston)	2
S-516	Welsh Plug	1
2223-KU	Set Screw—Flywheel	2

### PARTS SPECIAL FOR 62A100

AC-109	Pin—Piston (Included with Piston)	1
A-5001	Cylinder and Bushing Assy. (Includes Cylinder, Bushing, Welsh Plugs & Sight Glass)	1
5075	Piston (Includes Pin and Lockrings)	1

### PARTS SPECIAL FOR 62B200

BD-205	Pin—Piston (Included with Piston)	1
B-5007	Cylinder and Bushing Assy. (Includes Cylinder, Bushing, Welsh Plugs & Sight Glass)	1
5079	Piston (Includes Pin and Lockrings)	1

### PARTS SPECIAL — ROLLER BEARING COMPRESSORS 62A100-R & 62B200-R

AB-102-H	Crankshaft (Roller Bearing Type)	1
3615-K	Roller Bearing—Front	1
3616-K	Roller Bearing—Rear	1
A-5001-R	Cylinder and Bearing Assy. (Includes Cylinder, Roller Bearing & Sight Glass)	1
B-5007-R	Cylinder and Bearing Assy. (Includes Cylinder, Roller Bearing & Sight Glass)	1

### ASSEMBLIES

S-5002	Cover Assy.—Front (All Bushing Type Models) Includes Cover, Bushing & Oil Seal	1
S-5002-R	Cover Assy.—Front (All Roller Bearing Type Models) Includes Cover, Roller Bearing & Oil Seal	1
AB-5019	Cylinder Head & Valve Assy. (All Stop-Start Models) Includes Cylinder Head, Valve Assemblies & Complete Breather Assy. & Head Gasket	1
AB-5020	Cylinder Head & Valve Assy. (All Cont. Run Models "UL") Includes Cylinder Head, Valve Assemblies, Plunger Assembly & Complete Breather Assy. & Head Gasket	1
A-5045	Piston Ring Set (62A100)	1
B-5046	Piston Ring Set (62B200)	1
AB-5060	Gasket Set (All Models) (Includes Thrust Washers & Valve Gaskets)	1

### WARRANTY

The Saylor-Beal Manufacturing Co. warrants the compressors manufactured by it, when properly installed and lubricated as recommended, to be free from defects in material and workmanship under normal use and service. The responsibility of the Company under this warranty is limited to repair or replacement, at the Company's factory, any part or parts thereof, which shall, within one year after date of shipment to the original purchaser, be returned with transportation charges prepaid and which, upon examination, shall be found to be defective to the satisfaction of the Company. This warranty shall not apply to parts which have been subjected to misuse, negligence or accident, or to parts which have been repaired or tampered with outside of the Company's factory when in the judgment of the Company, it appears that the reliability or stability of the part or parts has been effected. Ordinary maintenance, such as adjustment and cleaning of equipment or components is the responsibility of the owner. Components purchased by Saylor-Beal for which Vendor's established warranty prevails, will be repaired or replaced if defective, only in accordance with Vendors established warranty policy. This warranty is expressly in lieu of all other warranties expressed or implied and of any other obligations or liability on the part of the Company.