



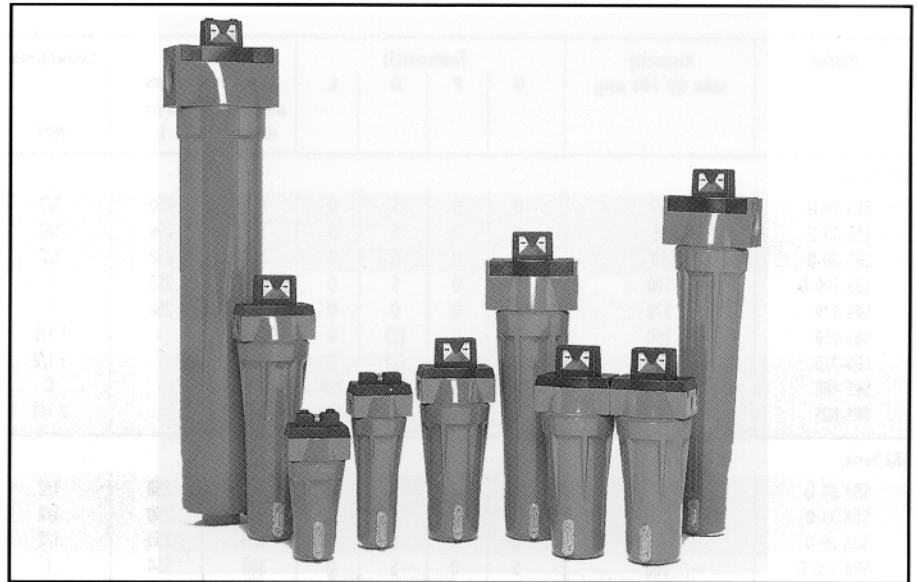
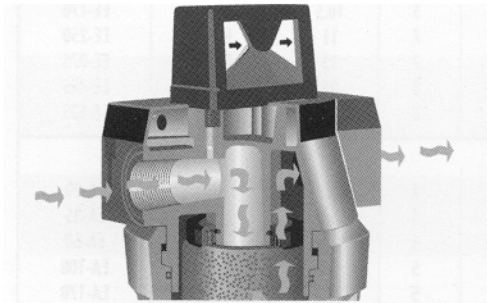
SAYLOR-BEALL INDUSTRIAL QUALITY COMPRESSED AIR FILTER LINE

Get the compressed air quality your application requires

A compressed air system is typically contaminated with solid particles, water droplets and oil aerosols and vapors. With the proper filtration you can eliminate these contaminants and obtain the air quality required by your application.

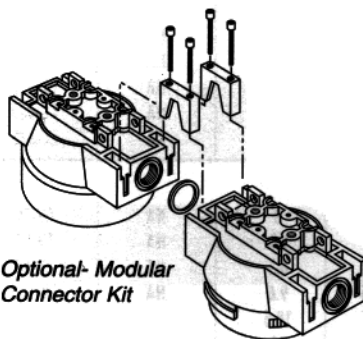
Advanced design housings offer low pressure drops, durability, and ease of use

- *Efficient*- Large flow areas reduce pressure drop
- *Durable*- Chromated and epoxy powder painted for added durability and corrosion resistance; impervious to synthetic lubricants

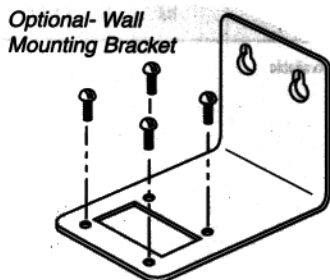


Easy installation

- Space saving modular connections- can be interconnected without piping
- Wall mounting brackets



Optional- Modular Connector Kit



Optional- Wall Mounting Bracket

Easy operation

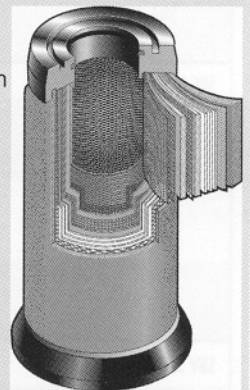
- *Differential pressure indicators* (gauge standard on 100 scfm and larger models; Slide indicator optional on all models)
- Indicates best time for element change-maximizes your element investment without adding excessive pressure drop to your system; can be read from both sides - allows housings to be mounted in any direction
- *Optional, Liquid level indicator*- allows monitoring of internal liquid level
- *Optional, Internal automatic drains*- pilot operated, pneumatically actuated for reliable discharge of collected liquids

Easy to service

- Bayonet head to bowl connection through 170 scfm
- Push on elements make element replacement quick and easy
- Audible warning if housing is pressurized when attempting service

Elements

A choice of element types allows you to design a system that delivers the air quality you require with minimum pressure drop



Element construction

- Piston type element to housing seal keeps unfiltered air from by-passing element
- 409 stainless steel cores add structural integrity and corrosion resistance
- New "matrix blended fiber" filter media...high capture rate with minimum pressure drop
- Coated foam resists chemical attack from oils and acids
- Chemically resistant end caps bound to media with specially formulated adhesive
- Silicone-free construction
- Withstands temperatures to 150°F/ 65°C

SBS Series separator/filters

Mechanical separator and three micron coalescing filter
Removes large liquid loads and all solid particles three microns and larger. Use as a separator downstream of an aftercooler or point-of-use filter where heavy liquid loads are expected (air systems without aftercoolers or dryers).

SBA Series air line filters

One micron coalescing filter
Removes all liquid water, oil aerosols and all solid particles one micron and larger
Use as a general filter for shop air; a prefilter for high efficiency filters; an afterfilter for pressure-swing desiccant dryers; a point-of-use filter on systems utilizing aftercoolers or dryers.

SBC Series high efficiency oil removal filters

0.01 micron coalescing filter
Coalesces and removes 99.99+% of oil aerosols for oil free air; solid particles 0.01 micron and larger.
Use with oil-lubricated compressors to produce oil free air for painting (spray and powder), molding of plastics, instrumentation and controls, fluid logic and air bearings.

SBV Series oil vapor removal filters

Activated carbon adsorbent filter
Removes oil vapor and odor; solid particles 0.01 micron and larger.
Use in food and drug packaging where compressed air contacts product, for deodorizing air exhausted into worker environments.

Model	Capacity scfm @ 100 psig	Features(1)				MOP psig		Connection NPT	Dimensions in.		Weight lbs.	Replacement	
		G	P	D	L	with manual drain	with D or L		H	W		Sleeve	Element
SBS Series													
SBS-20-D	20	0	0	S	0	300	250	1/2	11	4	8	ES-20	EE-20
SBS-35-D	35	0	0	S	0	300	250	1/2	11	4	8.1	ES-35	EE-35
SBS-60-D	60	0	0	S	0	300	250	1/2	14	4	8.5	ES-60	EE-60
SBS-100-D	100	S	0	S	0	300	250	1	16	5	9.6	ES-100	EE-100
SBS-170	170	S	0	0	0	300	250	1	20	5	10.5	ES-170	EE-170
SBS-250	250	S	0	(2)	0	300	-	1 1/2	23	7	11	ES-250	EE-250
SBS-375	375	S	0	(2)	0	300	-	1 1/2	28	7	12	ES-375	EE-375
SBS-485	485	S	0	(2)	NA	300	-	2	31	8	28	ES-485	EE-485
SBS-625	625	S	0	(2)	NA	300	-	2 1/2	37	8	33	ES-625	EE-625
SBA Series													
SBA-20-D	20	0	0	S	0	300	250	1/2	11	4	8	NA	EA-20
SBA-35-D	35	0	0	S	0	300	250	1/2	11	4	8.1	NA	EA-35
SBA-60-D	60	0	0	S	0	300	250	1/2	14	4	8.5	NA	EA-60
SBA-100-D	100	S	0	S	0	300	250	1	16	5	9.6	NA	EA-100
SBA-170	170	S	0	0	0	300	250	1	20	5	10.5	NA	EA-170
SBA-250	250	S	0	0	0	300	250	1 1/2	23	7	11	NA	EA-250
SBA-375	375	S	0	0	0	300	250	1 1/2	28	7	12	NA	EA-375
SBA-485	485	S	0	0	NA	300	250	2	31	8	28	NA	EA-485
SBA-625	625	S	0	0	NA	300	250	2 1/2	37	8	33	NA	EA-625
SBC Series													
SBC-20-D	20	0	0	S	0	300	250	1/2	11	4	8	NA	EC-20
SBC-35-D	35	0	0	S	0	300	250	1/2	11	4	8.1	NA	EC-35
SBC-60-D	60	0	0	S	0	300	250	1/2	14	4	8.5	NA	EC-60
SBC-100-D	100	S	0	S	0	300	250	1	16	5	9.6	NA	EC-100
SBC-170	170	S	0	0	0	300	250	1	20	5	10.5	NA	EC-170
SBC-250	250	S	0	0	0	300	250	1 1/2	23	7	11	NA	EC-250
SBC-375	375	S	0	0	0	300	250	1 1/2	28	7	12	NA	EC-375
SBC-485	485	S	0	0	NA	300	250	2	31	8	28	NA	EC-485
SBC-625	625	S	0	0	NA	300	250	2 1/2	37	8	33	NA	EC-625
SBV Series													
SBV-20	20	NA	NA	NA	NA	300	-	1/2	11	4	8	NA	EV-20
SBV-35	35	NA	NA	NA	NA	300	-	1/2	11	4	8.1	NA	EV-35
SBV-60	60	NA	NA	NA	NA	300	-	1/2	14	4	8.5	NA	EV-60
SBV-100	100	NA	NA	NA	NA	300	-	1	16	5	9.6	NA	EV-100
SBV-170	170	NA	NA	NA	NA	300	-	1	20	5	10.5	NA	EV-170
SBV-250	250	NA	NA	NA	NA	300	-	1 1/2	23	7	11	NA	EV-250
SBV-375	375	NA	NA	NA	NA	300	-	1 1/2	28	7	12	NA	EV-375
SBV-485	485	NA	NA	NA	NA	300	-	2	31	8	28	NA	EV-485
SBV-625	625	NA	NA	NA	NA	300	-	2 1/2	37	8	33	NA	EV-625

(1) G- Differential Pressure Gauge P- Differential Pressure Slide Indicator D- Internal Automatic Drain L- Liquid Level Indicator S- Standard O-Optional NA- Not Available
(2) Use External Drain SBPD-2 See price sheet for details.



Saylor-Beall Manufacturing Company

P.O. Box 40 • 400 North Kibbee Street • St. Johns, Michigan 48879
1-800-248-9001 (USA) • 517-224-2371 (Mich) • FAX: 517-224-8788